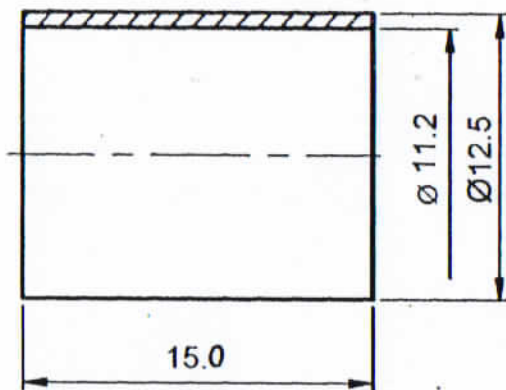
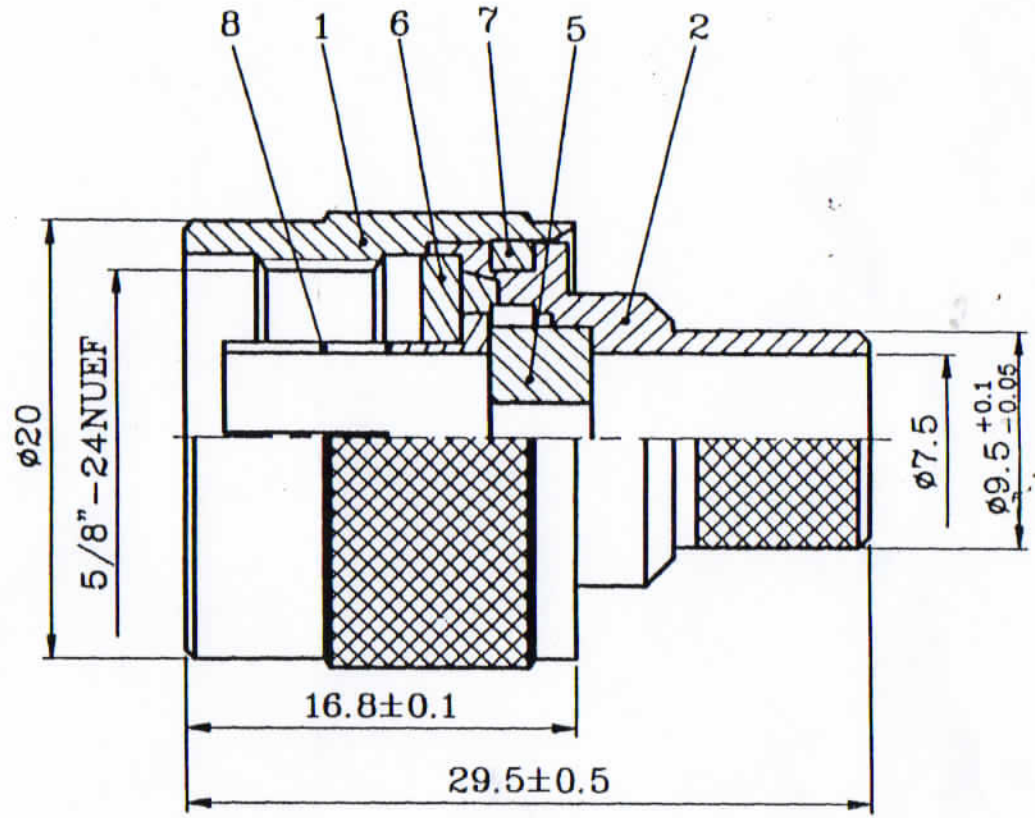
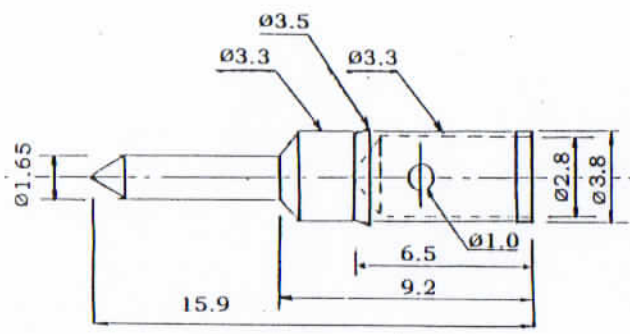


4



3



8	BODY	1	BRASS	NICKEL
7	WASHER	1	BRASS	NONE
6	GASKET	1	RUBBER	RED
5	INSULATOR	1	TEFLON	WHITE
4	RING	1	BRASS	NICKEL
3	PIN	1	BRASS	GOLD
2	BODY	1	BRASS	NICKEL
1	SHELL	1	BRASS	NICKEL

Approved by:



Date: JUL 17 2003

UNITED AU-VI CO., LTD.

Description: N MALE CRIMP RG213RT - TEFLON

Part No.: V-7301/213RT-T



File No.: C-7301-213